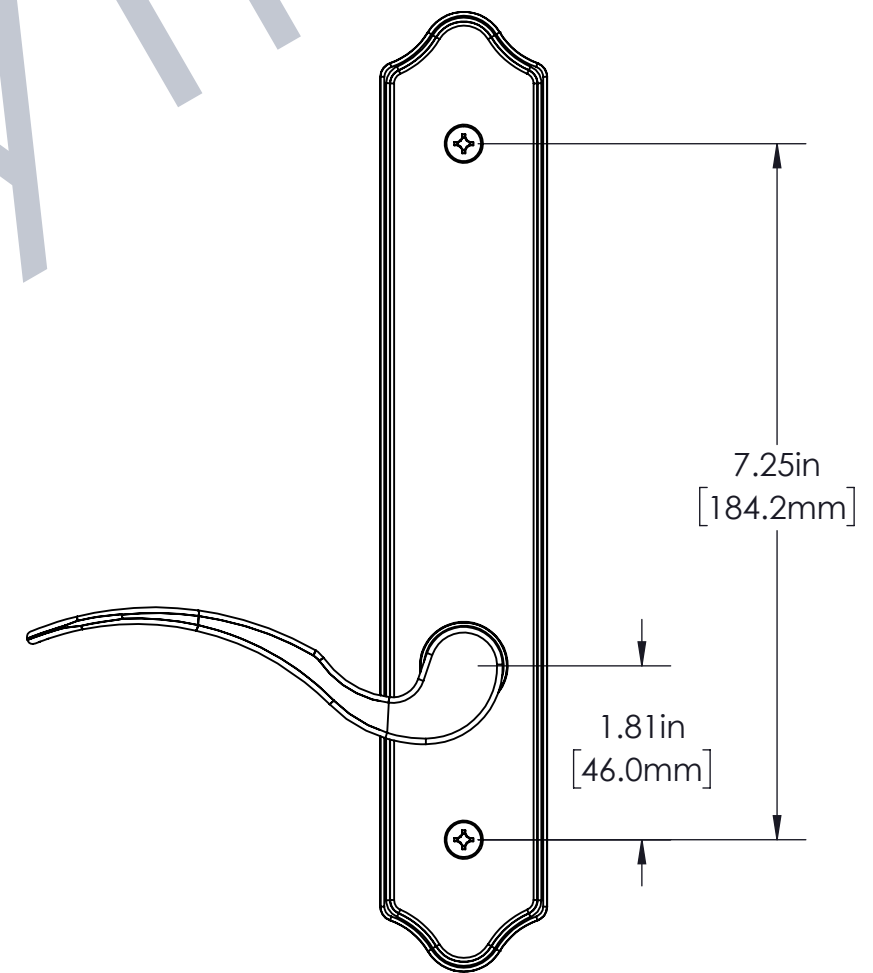
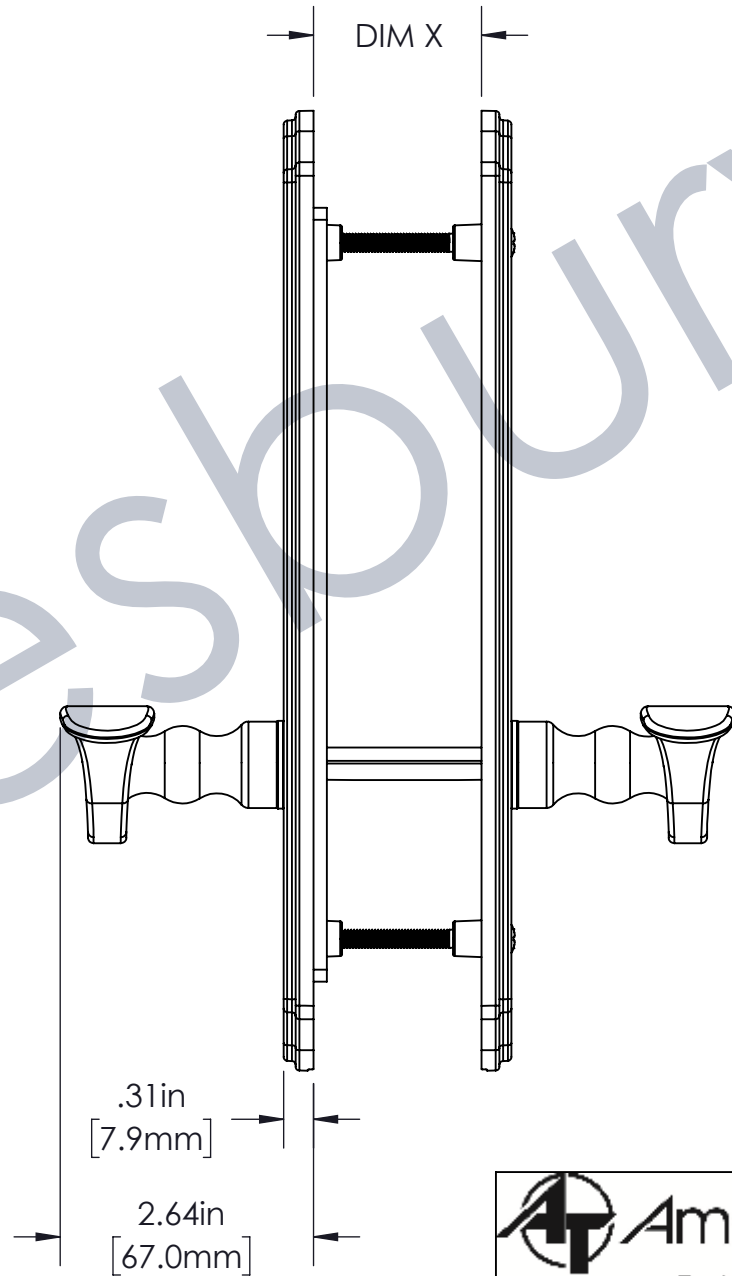
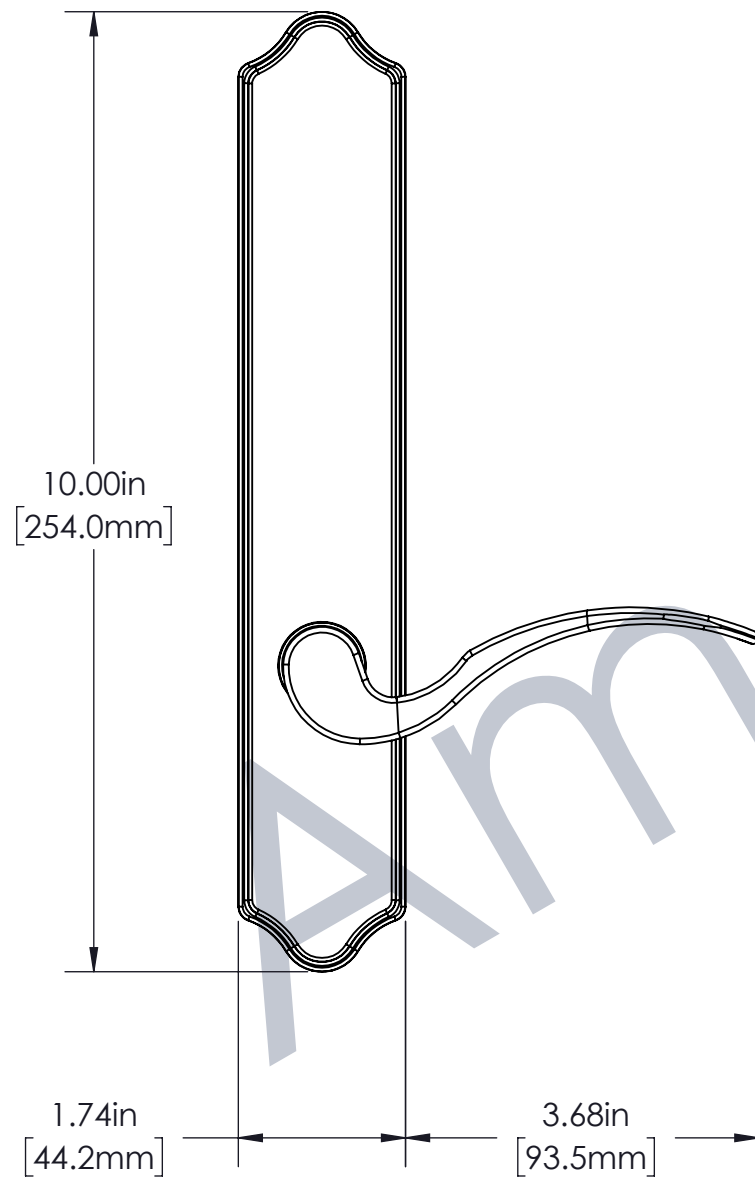


TRIMSET	DESCRIPTION	DIM X
W5209T-P0100	STANDARD	1.7"
W5209T-P0200	STANDARD	2.0"



CUSTOMER PAGE

<p>Amesbury Truth Engineered Solutions. Trusted Results.</p> <p>THE INFORMATION CONTAINED IN THIS DRAWING IS CONFIDENTIAL AND PROPRIETARY. THIS DRAWING IS NOT TO BE COPIED OR REPRODUCED IN WHOLE OR IN PART WITHOUT EXPRESS WRITTEN PERMISSION.</p>	<p>INTERPRET PER: ASME Y14.5M-2009 UNITS: INCH</p>	<p>DRAWING TITLE: TRUE ELEGANCE PASSIVE HANDLE SET</p>
	<p>THIRD ANGLE PROJECTION</p>	<p>SCALE: 1:2</p>
		<p>DRAWING #: W5209T-P</p>